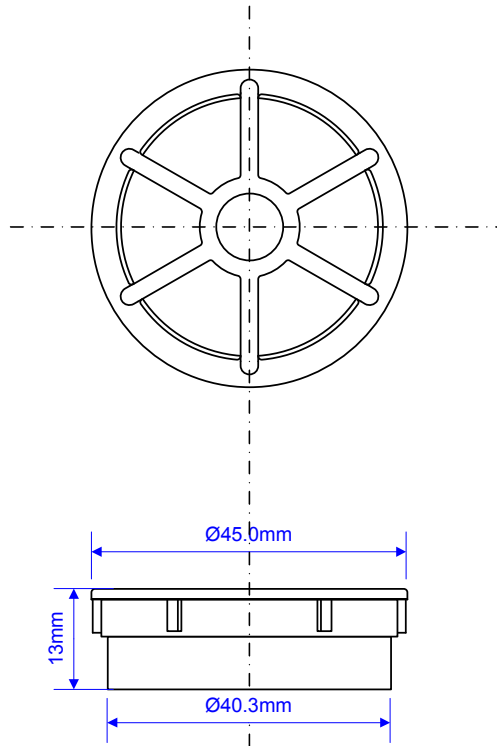


Code:

STWGR-CP

CP Finish



Drawing verified
correct as of: 10/09/2009

DRAWN BY

RM

REVISED

SCALE

1: 1

FILENAME

STWGR-CP.VSD

DATE

10/09/2009