

Technical Datasheet

Product Code: **01738863**

Product Description: **Flushing cistern for WC**

Specification

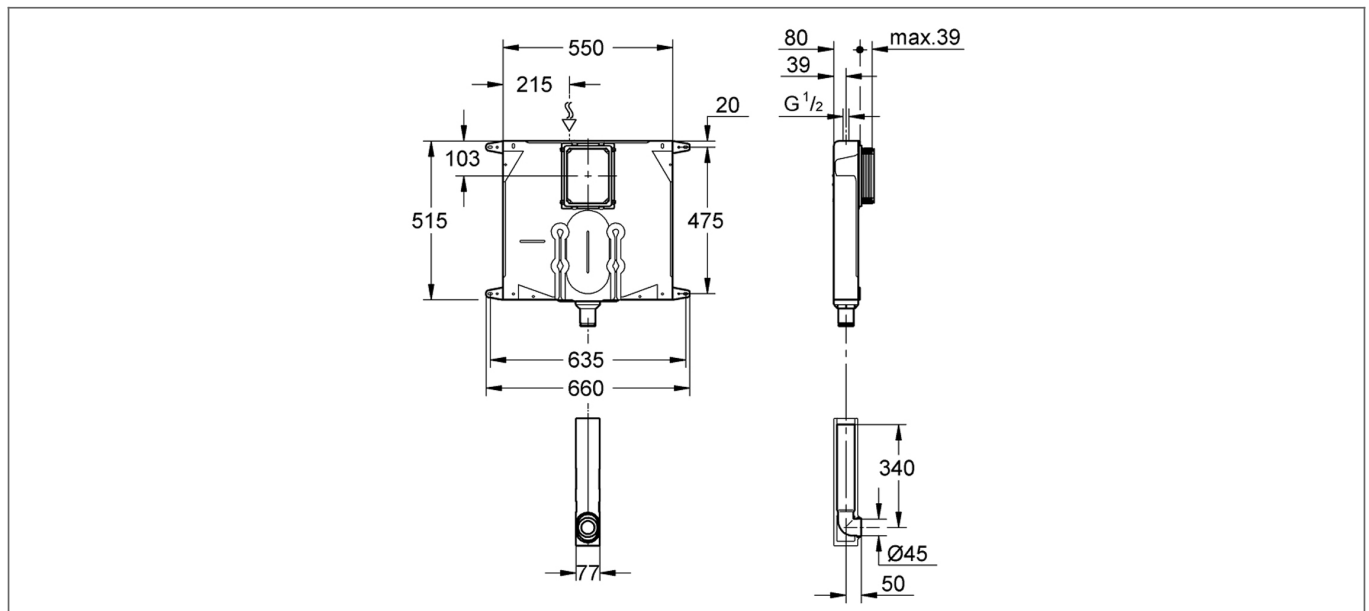
Product Guarantee:	5 Years
Barcode:	4005176832345
Packaged Weight (kg):	4.28 kg
Material:	Plastic
Style:	Modern
Cistern Flush:	Dual/Single Flush



Key Features

- Water supply connection from top
- Protection during construction phase
- With plaster base coating made of vinyl fleece - With angle valve 1/2".
- Includes push fit flexible hose union & fixing brackets
- pneumatic discharge valve offering 2 modes of operation: dual flush or single flush

Technical Drawing



Dimensions: All measurements are in millimetres and are subject to normal manufacturing variations.

Due to a continuing development programme to improve design and performance, we reserve all rights to vary specifications without prior notice. Please note, all accessories are for photographic purposes only.