

Technical Datasheet

Product Code: **BEE618001**

Product Description: **Ideal Standard Jasper Morrison 400mm 1 Tap Hole Handrinse Basin**

Specification

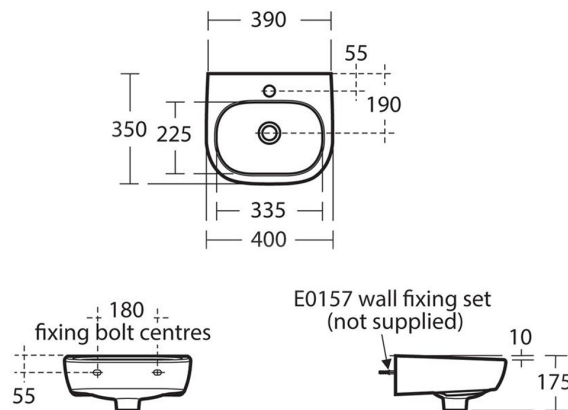
Product Guarantee:	Lifetime
Barcode:	5017830377313
Projection (mm):	350
Material:	Vitreous China
Style:	Modern
Shape:	Round
Number Of Tap Holes:	1



Key Features

- Wide-ranging bathroom ceramic collection with modern expressive design
- Manufactured from high quality white vitreous china
- Space saving wall hung design ideal for smaller bathroom use
- Features 1 tap hole suitable for mono basin mixer use
- Matching sanitaryware are also available in the Jasper Morrison range

Technical Drawing



Dimensions: All measurements are in millimetres and are subject to normal manufacturing variations.

Due to a continuing development programme to improve design and performance, we reserve all rights to vary specifications without prior notice. Please note, all accessories are for photographic purposes only.