

Technical Datasheet

Product Code: **GB.501.459.00.6**

Product Description: **Geb 501.459.00.6 Selnova Sq CC BSIO P/Button Cist**

Specification

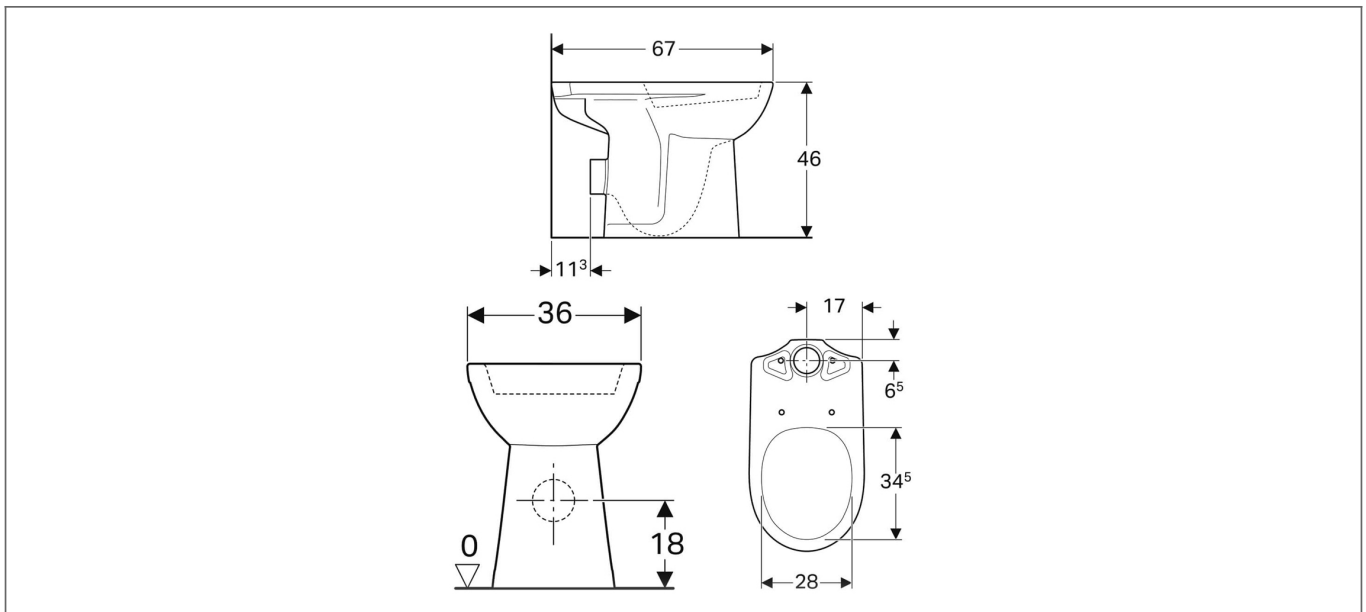
Barcode:	4025410754455
Packaged Weight (kg):	11.1 kg



Key Features

None Specified.

Technical Drawing



Dimensions: All measurements are in millimetres and are subject to normal manufacturing variations.

Due to a continuing development programme to improve design and performance, we reserve all rights to vary specifications without prior notice. Please note, all accessories are for photographic purposes only.